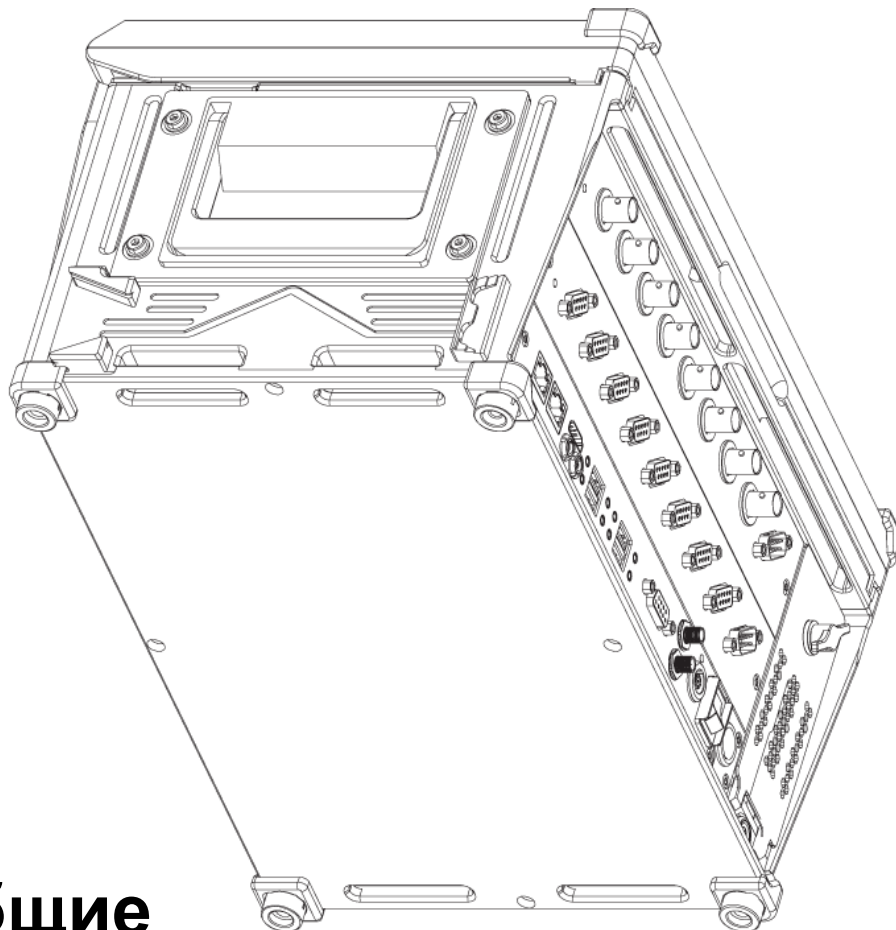
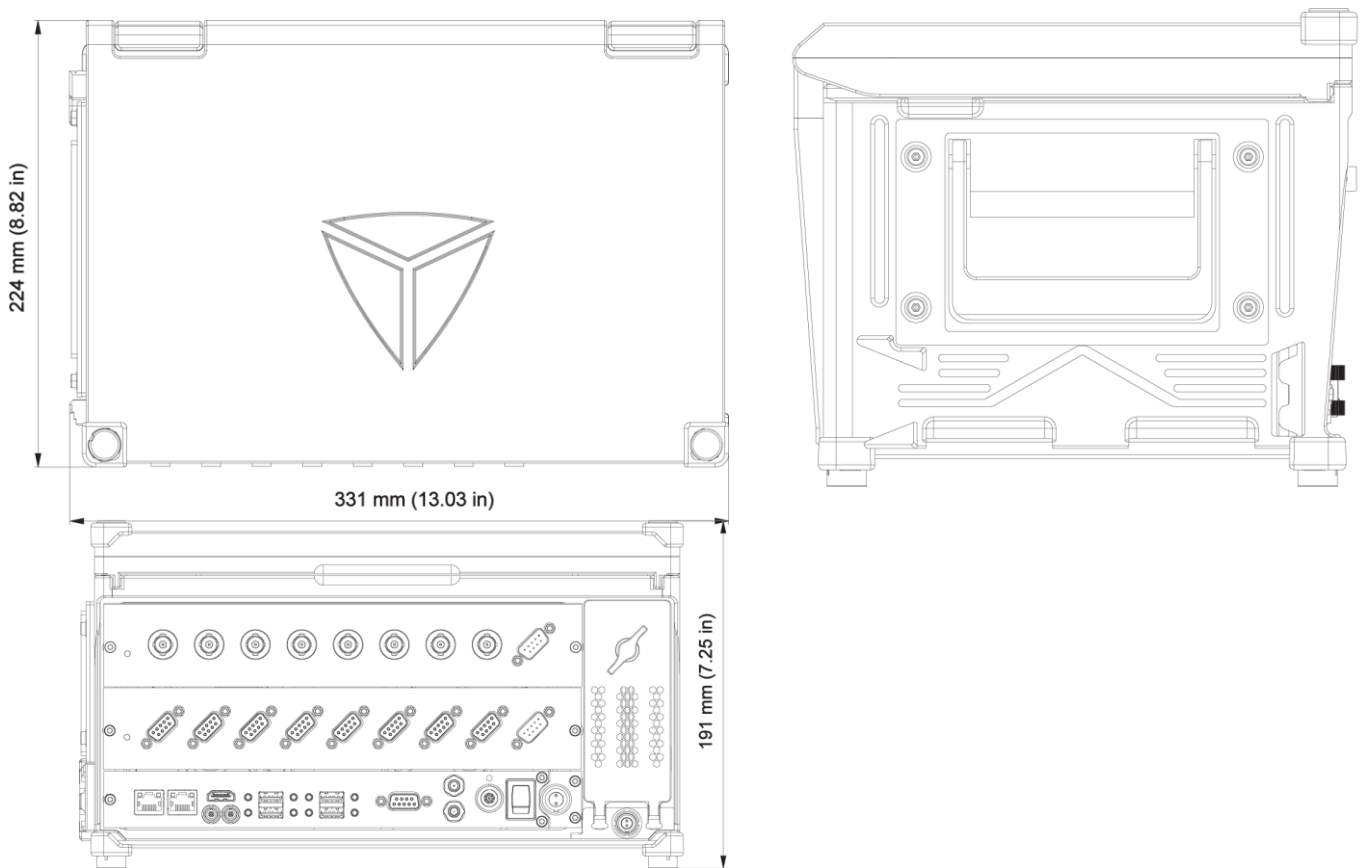


Технические характеристики R2DB



**Общие
характеристики системы**

Computer specification

Computer	
Processor	Intel® Core™ i3; 2x 2.3 GHz base; 4 threads
Memory	8 GB (optional up to 32 GB)
Storage	Non-removable M2 500GB (1 TB as option)
Interfaces and options	
USB Front	4x USB 3.0
Ethernet	2x GLAN (RJ45) 2x front, 1x WLAN (RP-SMA Female Jack)
EtherCAT®	1x EtherCAT® 100 Mbps Full Duplex, 8-pin LEMO female
Synchronisation	2x SIRIUS® SYNC
Video	1x HDMI
GPS (option)	10 Hz or 100 Hz or 100 Hz + RTK
GPS display (option)	External on DSUB-9 female connector + remote power on
Physical	
Weight	0.76 kg

Display	
Type	12.1" TFT
Touch Screen	PCAP, Multi-touch
Resolution	WXGA, 1280 x 800 pixels @ 60 Hz
Brightness	700 cd/m ²
Batteries	
Battery type	NL2024HD
Number of batteries	2, hot swappable
Voltage	14.4 V (at fully charged state 16.8 V)
Total capacity of single battery	6.25 Ah
Discharge current of single battery	8 A
Wrong polarity protection	
Weight of single battery	0.65 kg
Power	

Power Supply	9 - 36 V DC
Power Consumption	Max. 30 W (Display & Computer)
Power out	
Type	Switched input supply on 2-pin LEMO female
Maximum power	60 W
Output Voltage	13 - 16 V without external supply, 24 V with external supply
EtherCAT® Power out	
Type	Switched input supply on EtherCAT® connector, 8-pin LEMO female
Maximum power	40 W
Output Voltage	13 - 16 V without external supply, 24 V with external supply
Environmental	
Operating Temperature	0 to 40°C
Storage Temperature	-20 to 60°C
Humidity	5 to 95 % RH non-condensing at 40 °C
IP rating	IP20
Shock & Vibration	Vibration sweep sinus (EN 60068-2-6:2008)\ Vibration random (EN 60721-3-2: 1997 - Class 2M2) Shock (EN 60068-2-27:2009) MIL-STD-810D
Physical	
Dimensions	332 x 225 x 194 mm
Weight	7.8 kg (excl. SIRIUS® slices) 11 kg (std. system, with batteries)

Характеристики ВХОДОВ

Counter specification

Counter	
Timebase	102.4 MHz
Time base accuracy Typical	5 ppm, Max: 20 ppm
Max. Bandwidth	10 MHz
Input Filter	500 ns, 1 μ s, 2 μ s, 4 μ s, 5 μ s and 7.5 μ s
Input Level Compatibility	TTL (Low: <0.8 V, High >2 V)
Input Impedance	100 k Ω pull-up to +3.3 V
Input Protection	\pm 25 Volt continuous
Alarm output	Open collector, max. 100 mA / 30 Volt
Sensor supply	5 V / 100 mA; 12 V / 50 mA

CAN specification

CAN bus	
Number of ports	1
Interface type	CAN 2.0B, up to 1 MBit/sec
Special applications	CCP, OBDII, J1939, CAN output
Galvanic isolation	Isolated (only on isolated motherboard)
Bus pin fault protection	\pm 36 V
ESD protection	8 kV