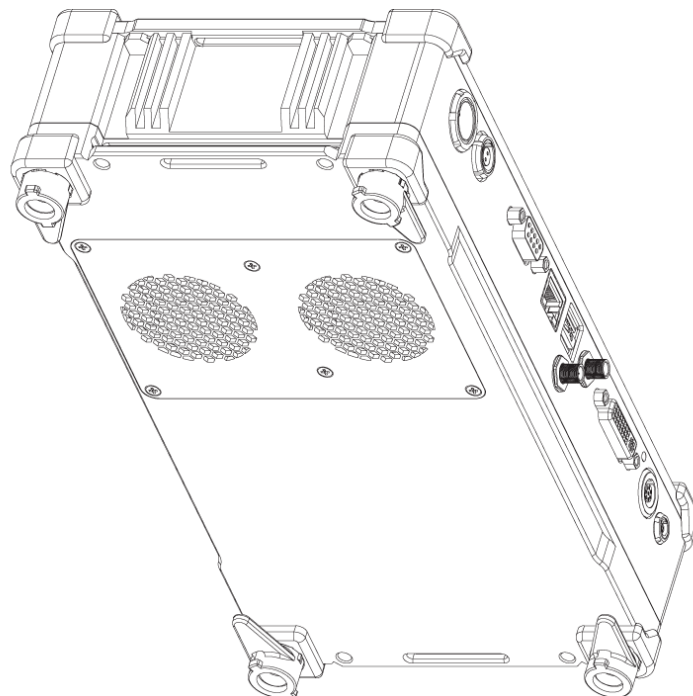
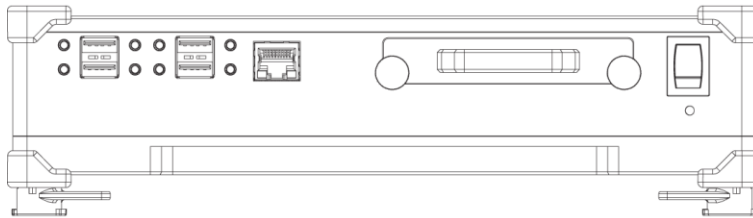
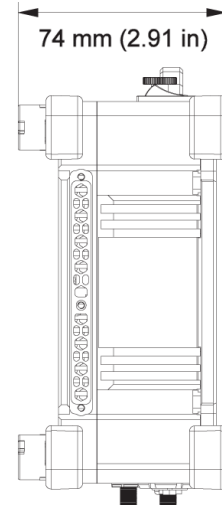
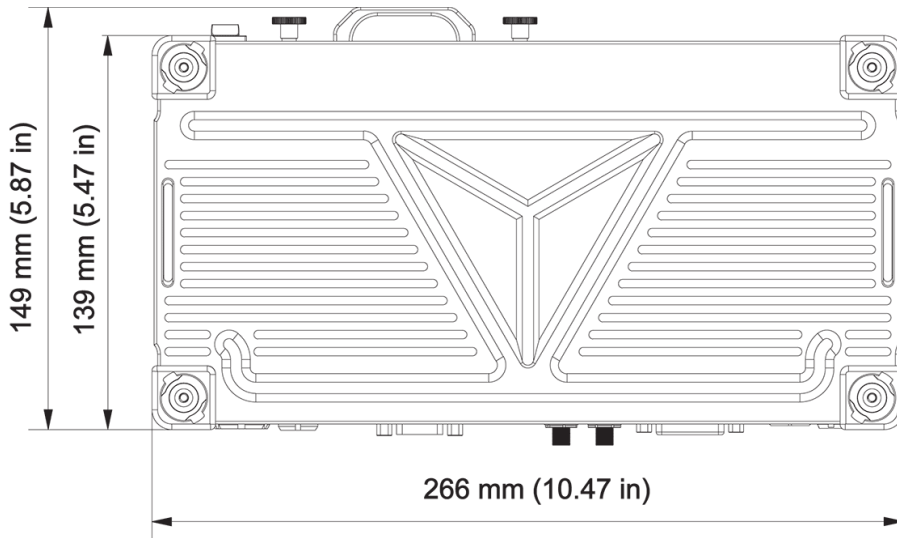
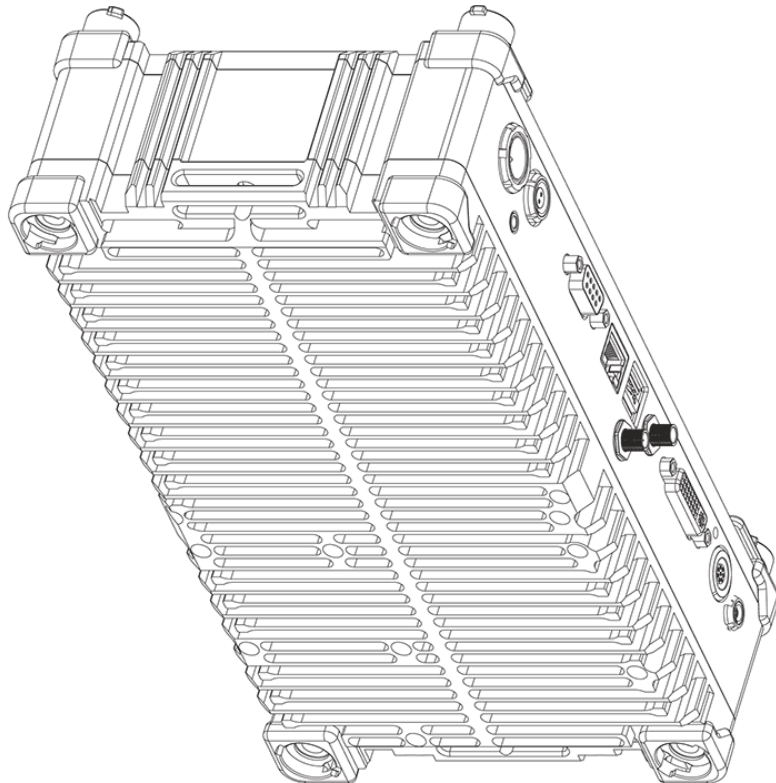
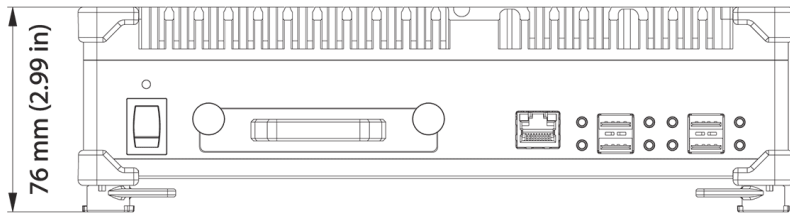
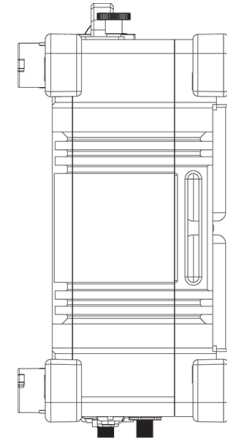
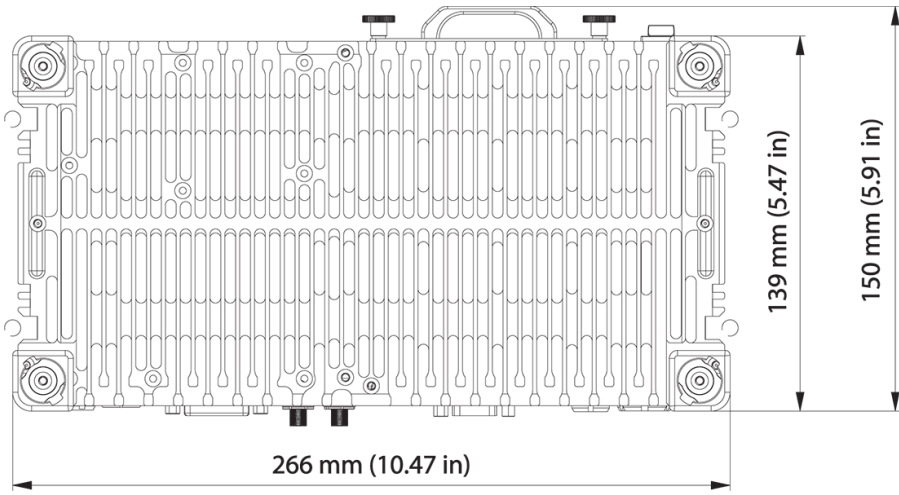


Технические характеристики SBOXe

Чертеж SBOXe



Чертеж SBOXfe



Технические характеристики

	SBOXe	SBOXfe
Computer		
Processor	Intel® Core™ i7 4x 2.0 GHz base, 2.8 GHz max 8 threads	Intel® Core™ i7 2x 1.7 GHz base, 2.8 GHz max 4 threads
Memory	8 GB (optional up to 32 GB)	8 GB (optional up to 16 GB)
Storage	500 GB removable SATA SSD Option: 1 TB removable SATA SSD Option: 250 GB mSATA internal SSD	
Interfaces and options		
USB	Front: 4x USB 3.0, Rear: 2x USB 2.0	
Ethernet	2x GLAN, 1x WLAN	
EtherCAT®	1x EtherCAT® 100 Mbps Full Duplex, 8-pin LEMO female	
Synchronisation	1x SIRIUS® SYNC	
Video	1x DVI (VGA and HDMI compatible)	
GPS (option)	10 Hz, 100 Hz, 100 Hz & RTK	
GPS display (option)	External on DSUB-9 female connector with remote power on	
Power out	Switched input supply on 2-pin LEMO female (max. 8 A)	
Power		
Power supply voltage	9 - 36 V DC	
Power consumption	Typ. 40 W (Max. 55 W)	30 W Max.
Environmental		
Operating temperature	-10 to 50 °C	
Storage temperature	-20 to 80 °C	
Humidity	5 to 95 % RH non-condensing at 50 °C	
IP rating	IP20	IP50
Shock & Vibration	Vibration sweep sinus (EN 60068-2-6:2008) Vibration random (EN 60721-3-2: 1997 - Class 2M2) Shock (EN 60068-2-27:2009) MIL-STD-810D	
Physical		
Dimensions	265 x 150 x 75 mm	265 x 150 x 80 mm
Weight	2.1 kg	2.4 kg