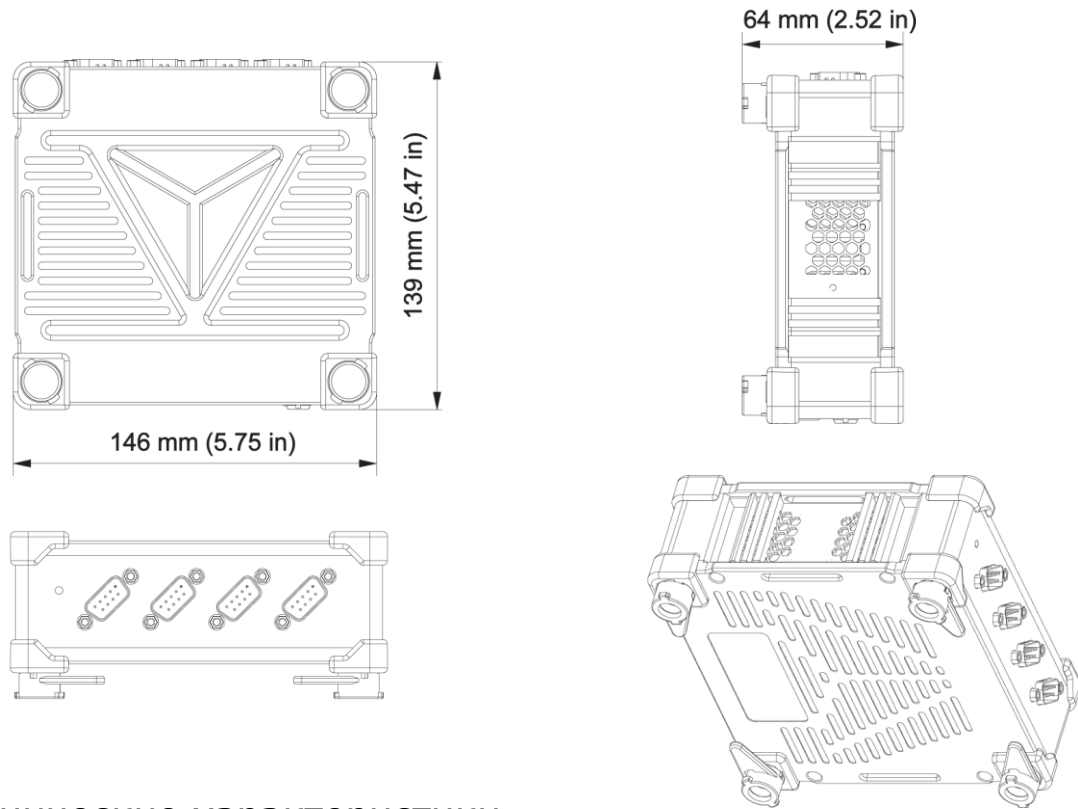


Технические характеристики SIRIUS MINI



Технические характеристики

	SIRIUSm-4xACC		SIRIUSm-3xACC-1xACC+	
Analog inputs				
Input type	Voltage IEPE		Voltage IEPE	
ADC type	24-bit delta-sigma dual core with anti-aliasing filter		24-bit delta-sigma dual core with anti-aliasing filter	
Sampling rate	Simultaneous 200 kS/sec		Simultaneous 200 kS/sec	
Ranges (Dual Core Low Range)	±10 V (±500 mV)	±500 mV (NA)	±10 V (±500 mV)	±500 mV (NA)
Input Accuracy (Dual Core)	±0.1 % of reading ±10 (1) mV	±0.1 % of reading ±1 (NA) mV	±0.1 % of reading ±10 (1) mV	±0.1 % of reading ±1 (NA) mV
Dynamic Range @ 10 kS (Dual Core)	140 dB (160 dB)	135 dB (NA)	140 dB (160 dB)	135 dB (NA)
Typ. SNR @ 50 kS (Dual Core)	107 dB (125 dB)	100 dB (NA)	107 dB (125 dB)	100 dB (NA)
Typ. CMR @ 50Hz/1kHz	140 / 120 dB	140 / 120 dB	140 / 120 dB	140 / 120 dB
Gain Drift	Typical 10 ppm/K, max. 30 ppm/K		Typical 10 ppm/K, max. 30 ppm/K	
Offset Drift	Typical 0.5 μV/K + 2 ppm of range/K, max 2 μV/K + 10 ppm of range/K		Typical 0.5 μV/K + 2 ppm of range/K, max 2 μV/K + 10 ppm of range/K	
Gain Linearity	<0.02 %		<0.02 %	
Inter Channel Phase-mismatch	0.02° * fin [kHz] + 0.1° (@ 200 kS/sec)		0.02° * fin [kHz] + 0.1° (@ 200 kS/sec)	
Channel Cross talk	>160 dB @ 1 kHz		>160 dB @ 1 kHz	

Input Coupling	DC, AC 0.1 Hz, 1 Hz	DC, AC 0.1 Hz, 1 Hz
Input Impedance	1 M Ω (270 k Ω for AC coupling \geq 1 Hz) in parallel with 100 pF	1 M Ω (270 k Ω for AC coupling \geq 1 Hz) in parallel with 100 pF
Oversvoltage Protection	In+ to In-: 50 V continuous; 200 V peak (10 msec)	In+ to In-: 50 V continuous; 200 V peak (10 msec)
IEPE mode		
Excitation	2, 4, 8, 12, 16 or 20 mA	2, 4, 8, 12, 16 or 20 mA
Compliance voltage	25 Volt	25 Volt
Output Impedance	>100 k Ω	>100 k Ω
Sensor detection	Shortcut: <4 Volt; Open: >19 Volt	Shortcut: <4 Volt; Open: >19 Volt
Additional Specifications		
Input connector BNC	BNC	BNC & 7-pin LEMO (L1B7F) for counter input
TEDS support	IEPE mode only	IEPE mode only
Digital Inputs		
Inputs		1 counter 3 digital Fully synchronised with analog data
Counter modes		counting, waveform timing, encoder, tacho, gear-tooth sensor
Input level compatibility		CMOS, LVTTTL
Input protection		\pm 25 V continuous
Digital output		1 ch open collector, max. 100 mA / 30 V
Power		
Power supply	5.0 V (+0.25 V, -0.6 V) DC	
Power consumption	Data USB port: Max. 2.5 W Power USB port: Typ. 2.5 W, Max. 6 W	
Environmental		
Operating Temperature	-10 to 50 $^{\circ}$ C	
Storage Temperature	-40 to 85 $^{\circ}$ C	
Humidity	5 to 95 % RH non-condensing at 50 $^{\circ}$ C	
IP rating	IP50	
Shock & Vibration	Vibration sweep sinus (EN 60068-2-6:2008) Vibration random (EN 60721-3-2: 1997 - Class 2M2) Shock (EN 60068-2-27:2009) MIL-STD-810D	
Physical		
Dimensions	146 x 139 x 64 mm	
Weight	0.74 kg	