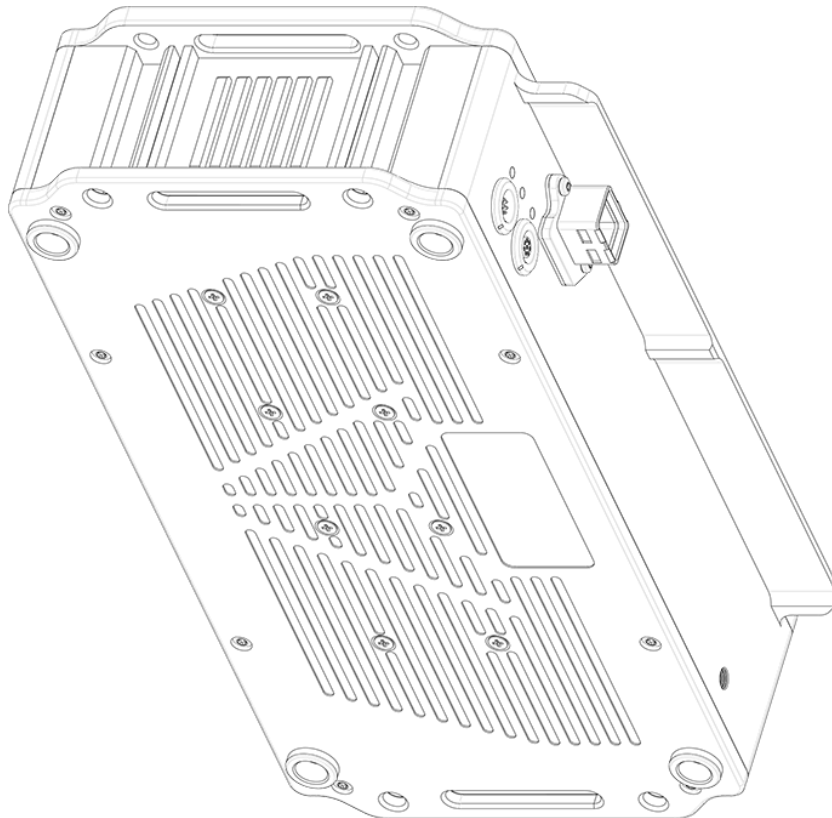
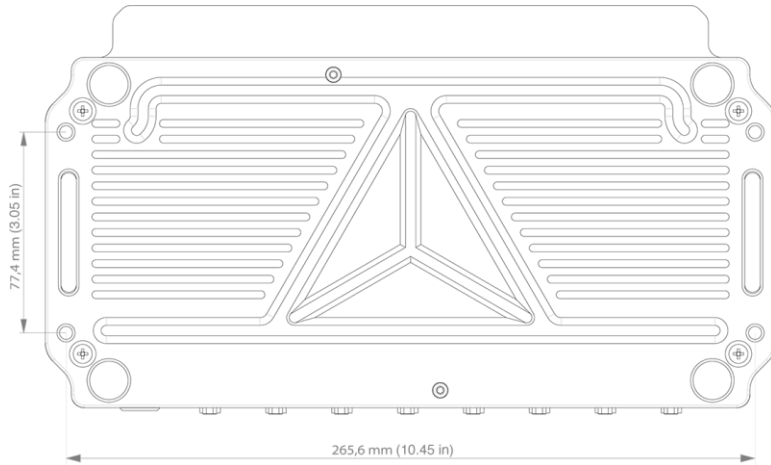
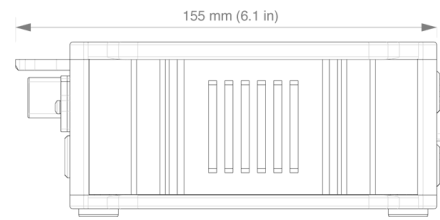
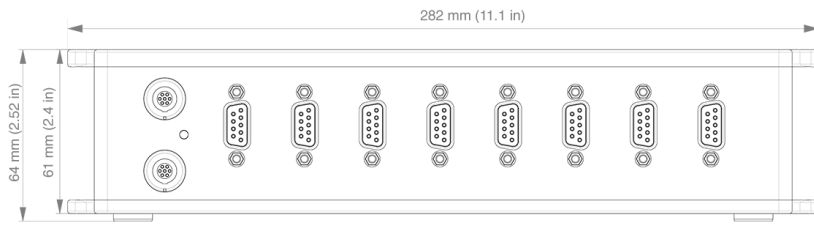


Технические характеристики SIRIUS waterproof



Технические характеристики

	SIRIUSiwe-6xSTGM-2xSTGM+	SIRIUSwe-HD-16xSTGS	SIRIUSiwe-6xLV-2xLV+
Analog inputs	8 ch voltage Full / half / quarter bridge strain	16 ch voltage Full / half / quarter bridge strain	8 ch voltage Full bridge strain, current (ext. Shunt)
ADC type	2x 24-bit delta-sigma DUALCOREADC® with anti-aliasing filter	24-bit delta-sigma with anti-aliasing filter	2x 24-bit delta-sigma DUALCOREADC® with anti-aliasing filter
Sampling rate on USB	Simultaneous 200 kS/sec	Simultaneous 200 kS/sec	Simultaneous 200 kS/sec
Sampling rate on EtherCAT®	Simultaneous 20 kS/sec	Simultaneous 10 kS/sec	Simultaneous 20 kS/sec
Ranges	±10 V, ±1 V, ±100 mV, ±10 mV	±10 V, ±1 V, ±100 mV, ±10 mV	±200 V, ±10 V, ±1 V, ±100 mV
Bridge ranges	2 mV/V ... 1000 mV/V, free programmable	2 mV/V ... 1000 mV/V, free programmable	2 mV/V ... 1000 mV/V, free programmable
Dynamic Range@10kS	-152 dB	-137 dB	-152 dB
Input coupling	DC	DC	DC, AC 1 Hz (3 Hz, 10 Hz per SW)
Input impedance	10 MΩ	10 MΩ	200 V Range: 1 MΩ; all other ranges 10 MΩ between IN+ or In- against GND
Bridge modes	Full / Half / Quarter Br 120 / 350 Ω 3-wire; internal bridge completion	Full / Half / Quarter Br 120 / 350 Ω 3-wire; internal bridge completion	Full
Internal shunt resistor	100 kΩ, bipolar to Exc+ or Exc- (others on request)	100 kΩ, bipolar to Exc+ or Exc- (others on request)	
Excitation voltage	0 - 15 VDC bipolar software programmable (16-bit DAC), max 44 mA	0 - 12 VDC bipolar software programmable (16-bit DAC), max 44 mA	0 - 24 V DC unipolar 2 - 30 V DC bipolar software programmable (16-bit DAC), max 200 mA / 2 W
TEDS	Supported, DSI® adapters	Supported, DSI® adapters	Supported, DSI® adapters
Overvoltage protection	IN+ to IN-: 50 V continuous; 200 V peak (10 msec)	IN+ to IN-: 50 V continuous; 200 V peak (10 msec)	200 V Range: 300 V; all other ranges: 100 V (250 V peak for 10 msec)
Counter inputs	2x Supercounter® (6 Digital In, 2 Digital out)		2x Supercounter® (6 Digital In, 2 Digital out)

Isolation Voltage	1000 V channel-channel, channel-ground	Differential (ground loop isolated)	1000 V channel-channel, channel-ground
Input connectors	DSUB-9 CNT: 7-pin LEMO female	DSUB-9	DSUB-9 CNT: 7-pin LEMO female
Power			
Power supply	9 - 36 V DC	9 - 36 V DC	9 - 36 V DC
Power consumption	Typ. 11 W (Max. 20 W)	Typ. 14 W (Max. 24 W)	Typ. 14 W (Max. 42 W, temperature derating applies)
Environmental			
Operating Temperature	-40 °C ... 60 °C	-40 °C ... 50 °C	-40 °C ... 60 °C
Storage Temperature	-40 °C ... 85 °C	-40 °C ... 85 °C	-40 °C ... 85 °C
Humidity	5 to 100 % RH		
IP rating	IP65 / IP67		
Shock	60 g @ 6 ms 50x, half sine, all axis 100 g @ 4 ms 50x, half sine, all axis		
Vibration	<p>Random: Profile breakpoints: 24 Hz - 0.023 g²/Hz 60 Hz - 0.28 g²/Hz 100 Hz - 0.28 g²/Hz 240 Hz - 0.056 g²/Hz 2 kHz - 0.056 g²/Hz Profile RMS / Peak = 11.5 g / 34.5 g (up to 15 / 45 g with absorbers) 6 hrs in each axis, 18 hrs total</p>		
Physical			
Dimensions	282 x 135 x 70 mm	282 x 135 x 85 mm	282 x 135 x 70 mm
Weight	2.07 kg	2.73 kg	2.07 kg